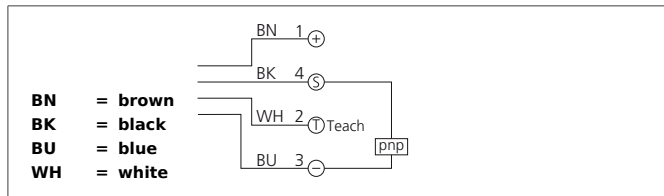


OLVTI 41 P3K-IBS

Amplifier for glass fiber optics

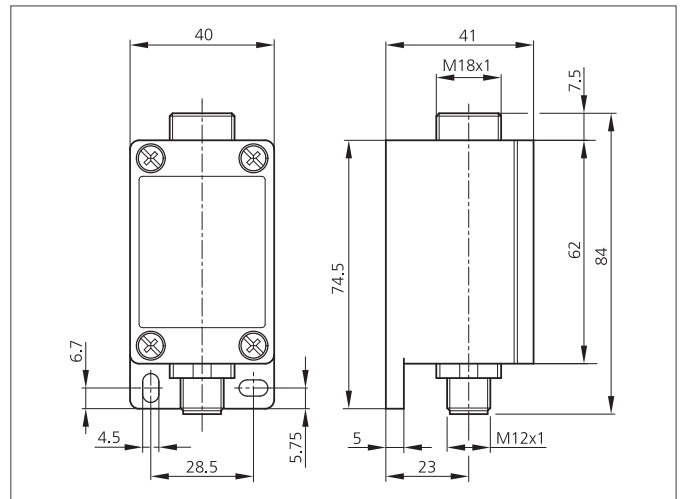
- Sensitivity via external teach input or via push buttons adjustable
- Metal casing
- Red light
- High operating frequency
- Light / dark switching
- Metal connector
- High protection class



Safety instructions

The Instruments are not to be used for safety applications, in particular applications in which safety of persons depends on proper operation of the instruments.

These instruments shall exclusively be used by qualified personnel.



TECHNICAL INFORMATION (typ.)		+20°C, 24V DC
Amplifier for		Glass fiber optics M18
Evaluation		digital
Emitted light		Red, 660 nm, clocked
Service voltage		10 ... 35 V DC
Internal power consumption		< 45 mA
Control buttons		3 (Teach, Man-, Man+)
Operating distance		60 mm
External teach input		active: Teach > 2 s -> UB, not active: Teach -> GND
Sensitivity adjustment		Teach key + remote teach
Switching output		pnp, 200 mA, NO/NC, programmable
Switching hysteresis		< 12 %
Display		LED: green - Run, yellow - Output, red - Teach / Error
Voltage drop		< 2,8 V
Switching frequency		1.500 Hz
Reproducibility		< 2 %
Ambient temperature		-10 ... +60 °C
Ambient light immunity		50 kLx
Insulation voltage endurance		500 V
Protection class		IP 65
Casing material		Die-cast zinc lacquered finish
Connection		Connector, M12, 4-poled